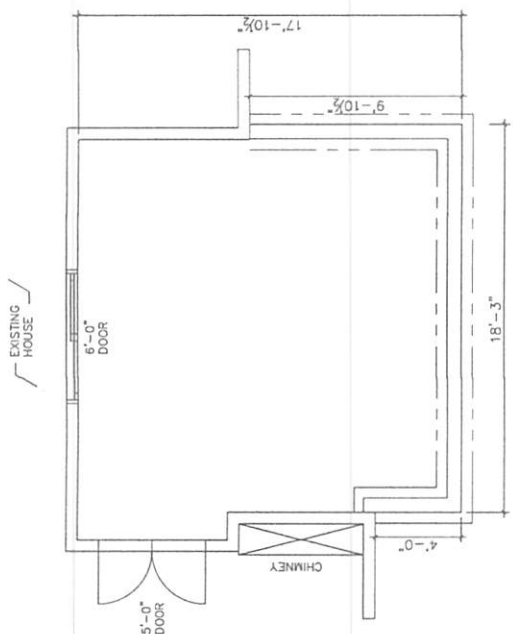


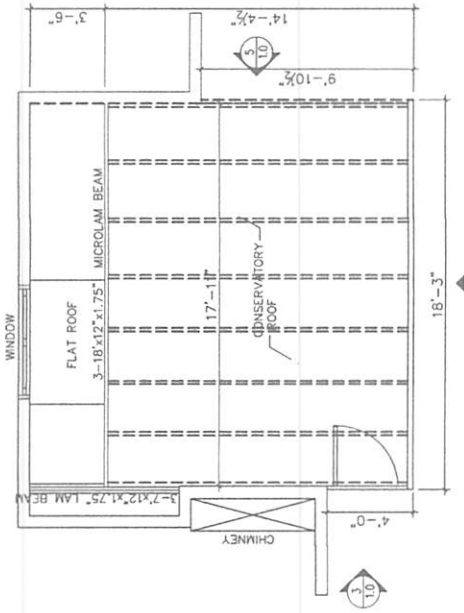
These drawings are the exclusive property of Conservatory Craftsmen, LLC. No part of these drawings may be reproduced or transmitted in any form or by any means, electronic or mechanical, including photocopying, recording, or by any information storage and retrieval system, without the prior written permission of Conservatory Craftsmen, LLC. ALL DIMENSIONS TO BE FIELD VERIFIED BY THE GENERAL CONTRACTOR.

CLIENT: PIONEER RENOVATIONS  
 PROJECT: RESIDENCE  
 ADDRESS: [REDACTED]  
 CITY: FRODOENAC, MN

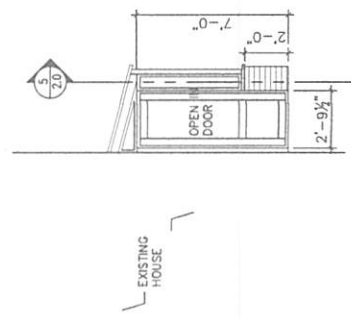
JOB NUMBER:	JUNE 17, 0
DATE DRAWN:	02/23/17
DRAWN BY:	MJH
NO. REVISION/ISSUE DATE	BY



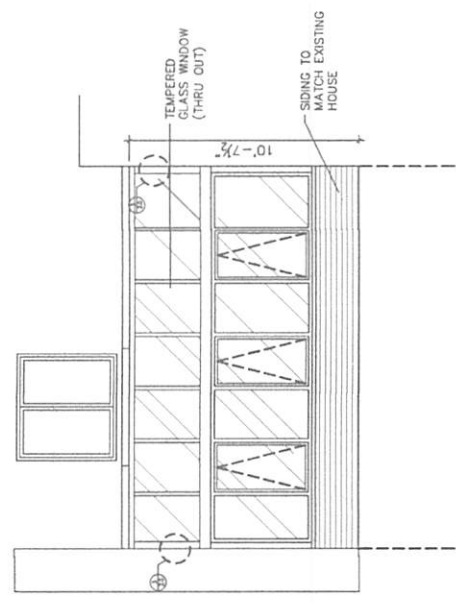
1. EXISTING FOUNDATION PLAN  
 1.0 SCALE: 1/4" = 1'-0"



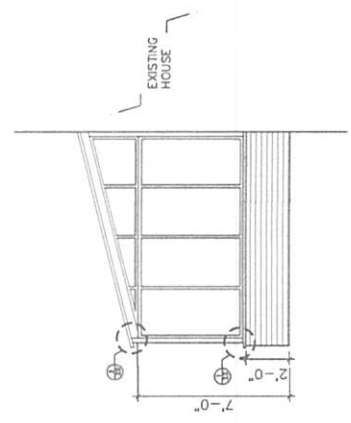
2. RAFTER PLAN  
 1.0 SCALE: 1/4" = 1'-0"



3. NORTH ELEVATION  
 1.0 SCALE: 1/4" = 1'-0"



4. WEST ELEVATION  
 1.0 SCALE: 1/4" = 1'-0"



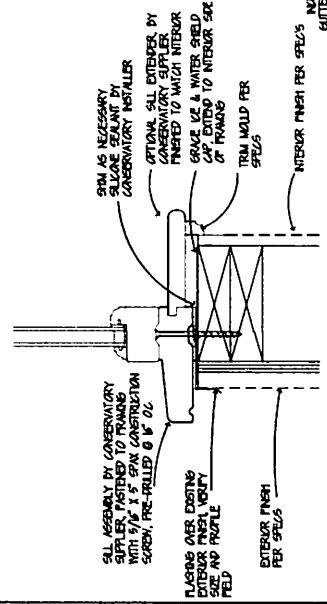
5. SOUTH ELEVATION  
 1.0 SCALE: 1/4" = 1'-0"

[REDACTED]

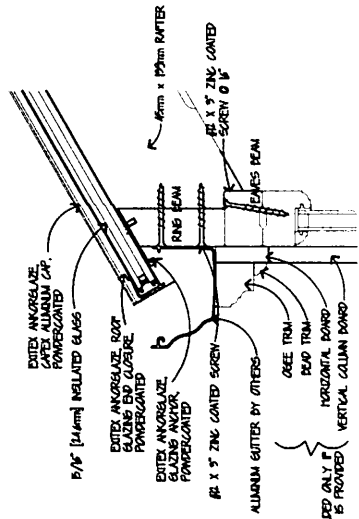
[REDACTED]

**NOTES:**

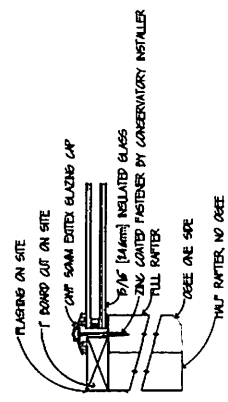
- WOOD SPECIES TO BE SURELUMINOUS
- ALL FASTENERS TO BE ZINC COATED
- SLICING BEANS TO BE OIL FINISH CLEAR
- INTERIOR FINISH TO BE TEAK STAIN
- CLIPPING PAINT TO BE BRONZE
- HARDWARE COLOR TBD



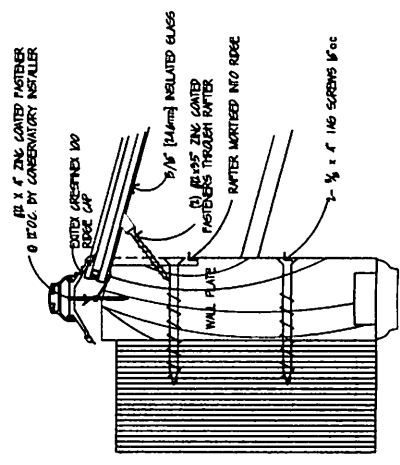
1. KNEEWALL DETAIL  
2.0 SCALE 3" = 1'-0"



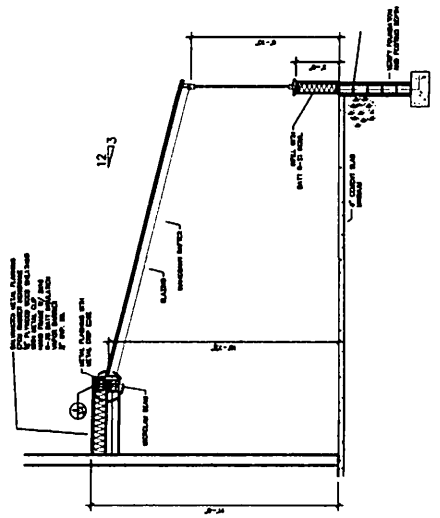
2. EAVE DETAIL  
2.0 SCALE 3" = 1'-0"



3. RAFTER/WALL CONNECTION  
2.0 SCALE 3" = 1'-0"



4. WALLPLATE CONNECTION  
2.0 SCALE 3" = 1'-0"



5. THROUGH SECTION  
2.0 SCALE 1/4" = 1'-0"

**Conservatory Craftsmen**  
2229 Friendship Lane • Burnsville • MN 55337  
1-888-345-7915 • sales@conservatorycraftsmen.com

THIS DRAWING IS THE PROPERTY OF CONSERVATORY CRAFTSMEN, LLC. IT IS TO BE USED ONLY FOR THE PROJECT AND SITE SPECIFICALLY IDENTIFIED HEREON. IT IS NOT TO BE REPRODUCED, COPIED, OR TRANSMITTED IN ANY FORM OR BY ANY MEANS, ELECTRONIC OR MECHANICAL, INCLUDING PHOTOCOPYING, RECORDING, OR BY ANY INFORMATION STORAGE AND RETRIEVAL SYSTEM. WITHOUT THE WRITTEN PERMISSION OF CONSERVATORY CRAFTSMEN, LLC. ANY VIOLATION OF THESE TERMS SHALL BE SUBJECT TO LEGAL ACTION.

CLIENT: PIONEER RENOVATIONS  
PROJECT: RESIDENCE  
ADDRESS: FRONTENAC, MN  
DATE NUMBER: JUNE 17, 0  
DATE DRAWN: 02/23/17  
DRAWN BY: MJH  
NO. / REVISION/ISSUE DATE BY

[REDACTED]

[REDACTED]

[REDACTED]

[REDACTED]